

DC Socket



RoHS

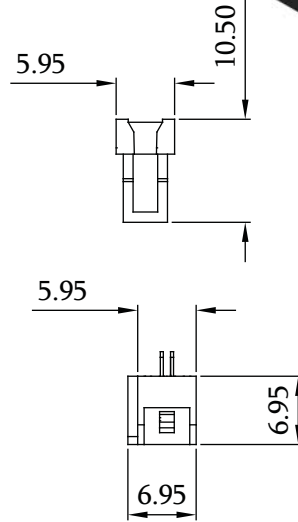
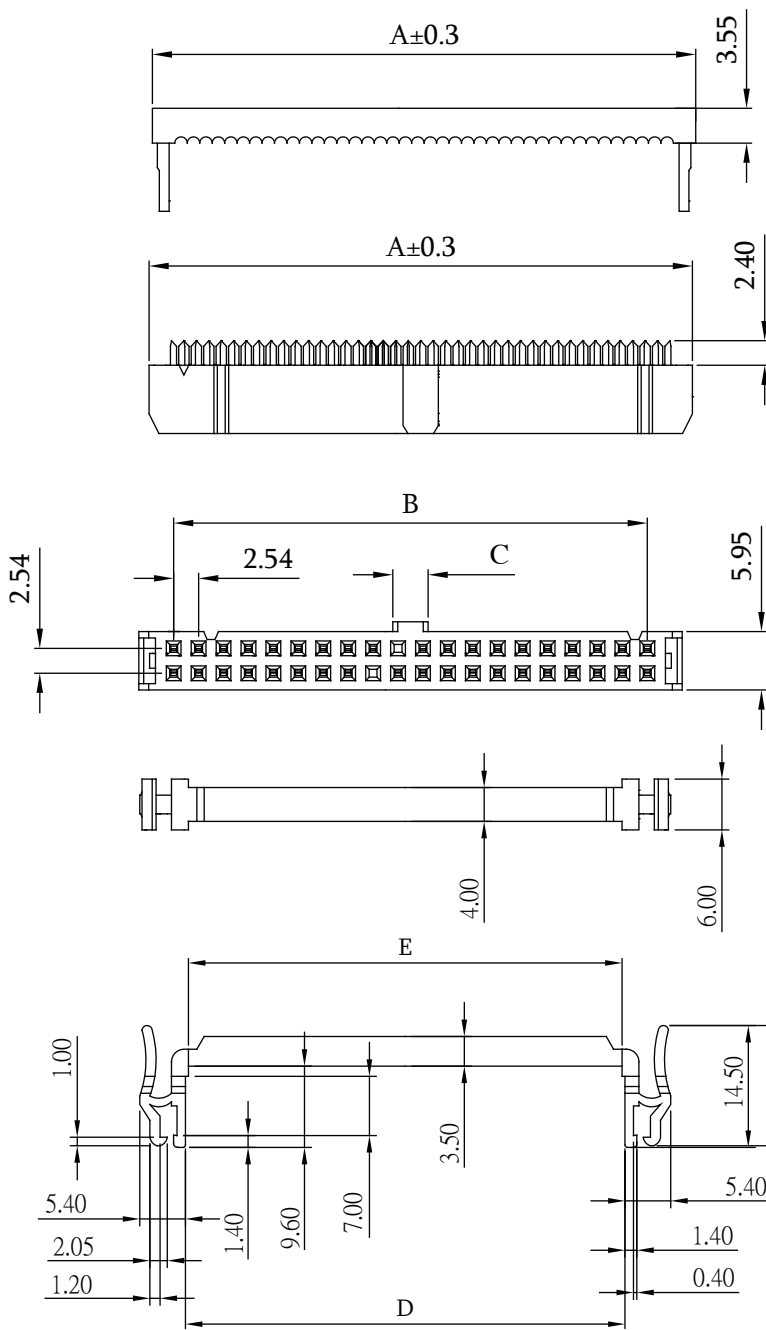
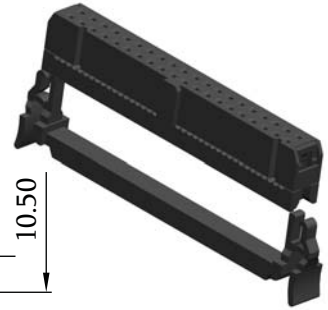
IDC Socket 2.54mm

SPECIFICATION

Current Rate: 1 AMP
 Insulation Resistance: 1000MΩ Min
 Contact Resistance: 20mΩ Max
 Dielectric Voltage: 500V AC for one minute
 Operation Temperature: -40°C to +85°C

MATERIAL

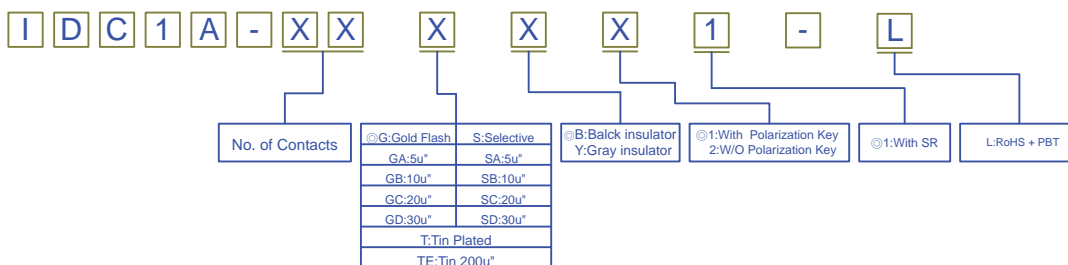
Insulator: Polyester, UL 94V-0
 ©Standard: PBT
 Contact Pin: Copper Alloy



No. of Contacts	Dimensions				
	A	B	C	D	E
10	17.26	10.16	3.60	13.70	13.00
16	24.88	17.78	3.60	21.30	20.60
20	29.96	22.86	3.60	26.38	25.60
24	35.04	27.94	3.60	31.46	30.68
26	37.58	30.48	3.60	34.00	33.20
34	47.74	40.64	3.60	44.48	43.58
40	55.36	48.26	3.60	52.10	51.20

Part No.: IDC1A-XX-L

ORDER INFORMATION



©Standard Recommended