

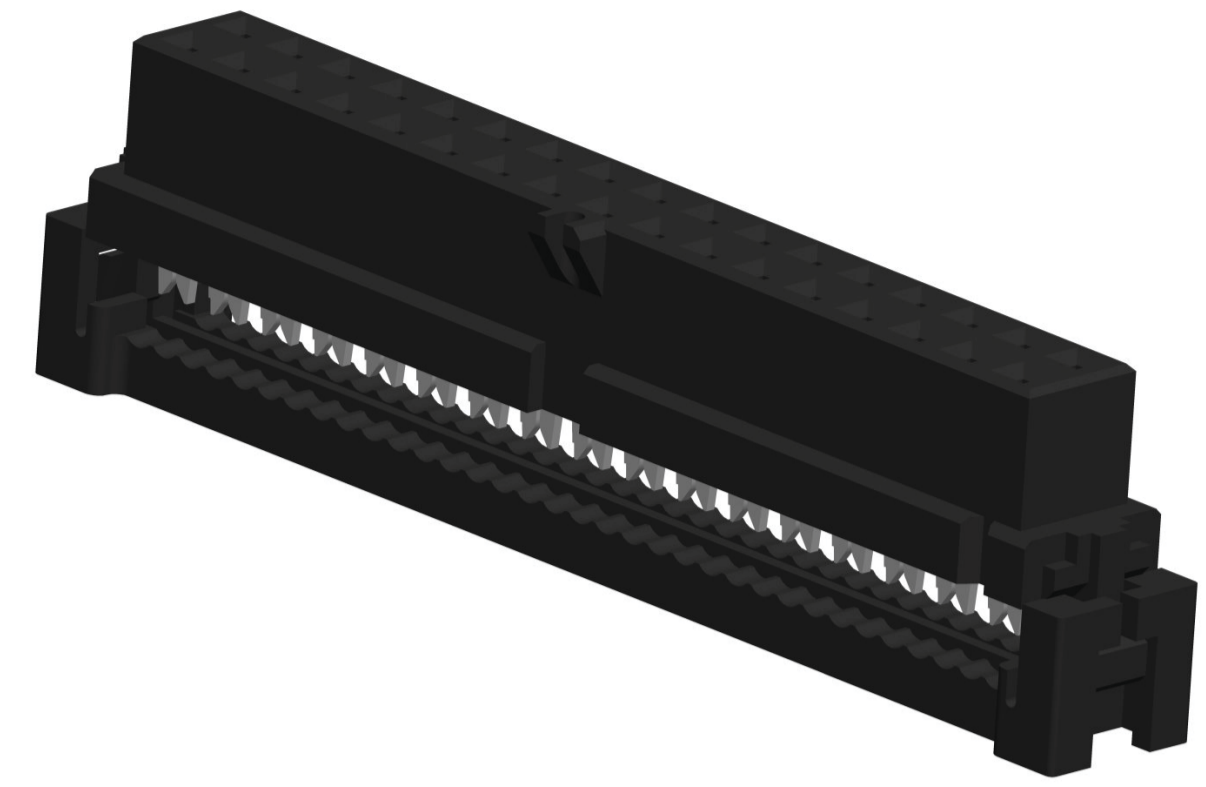
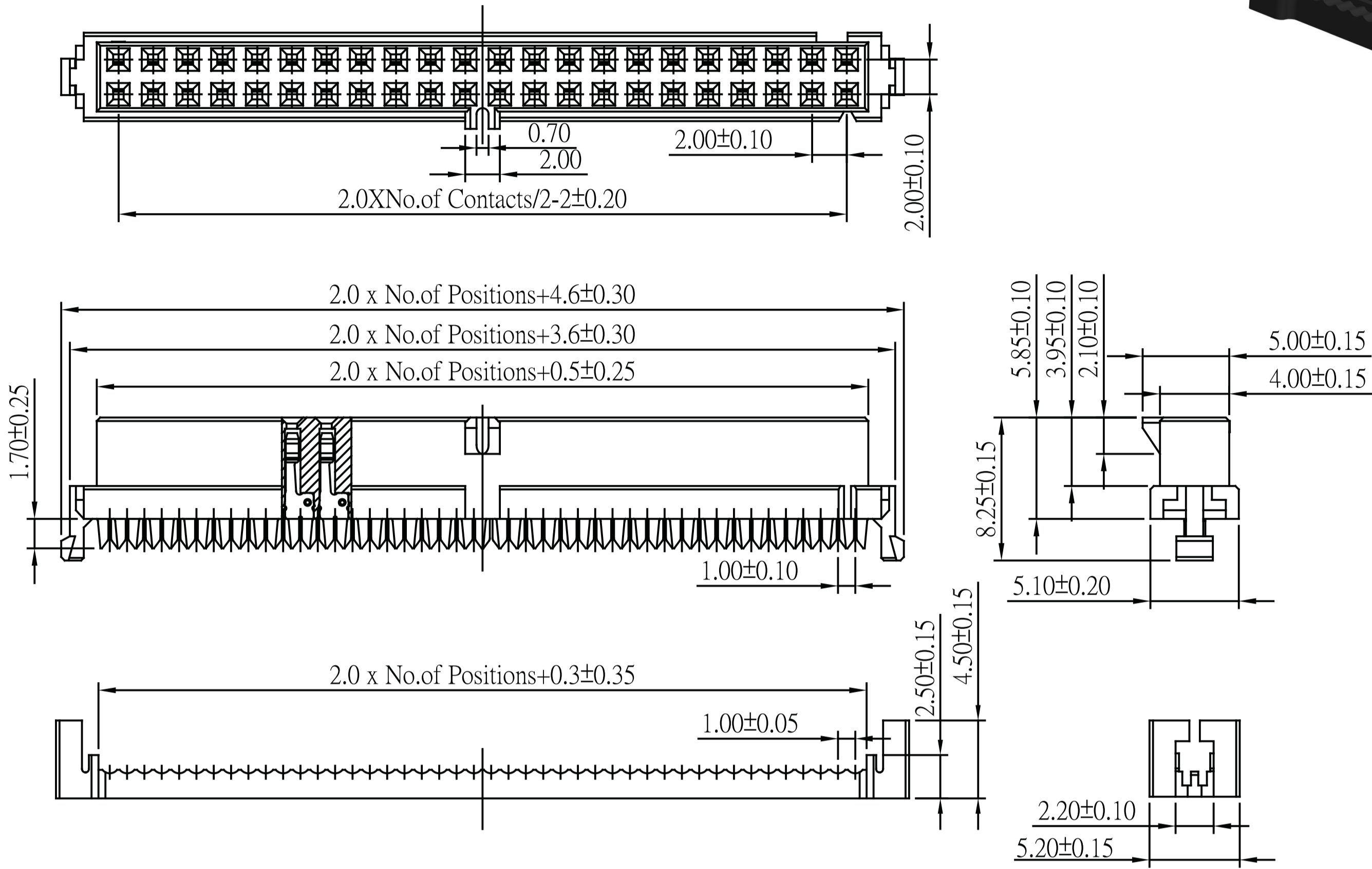
IDC Socket 2.0mm

SPECIFICATION

Current Rate:1 AMP
 Insulation Resistance:1000M Ω Min.
 Contact Resistance:20m Ω Max.
 Dielectric Voltage:500V AC for one minute
 Operation Temperature:-40°C to +105° C

MATERIAL

Insulator:Polyester,UL 94V-0
 ◎Standard:PBT
 Contact Pin:Copper Alloy



Part No.:IDC2A-XX-L

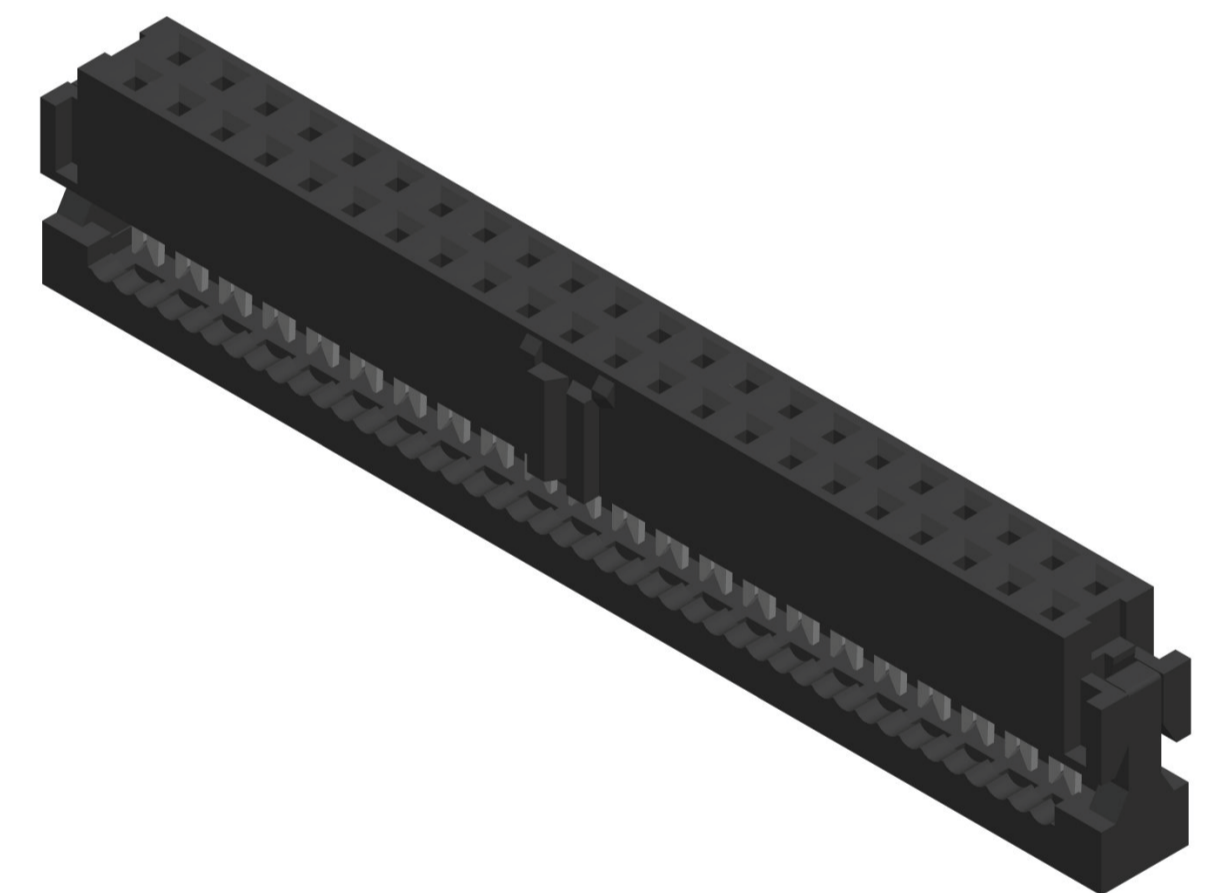
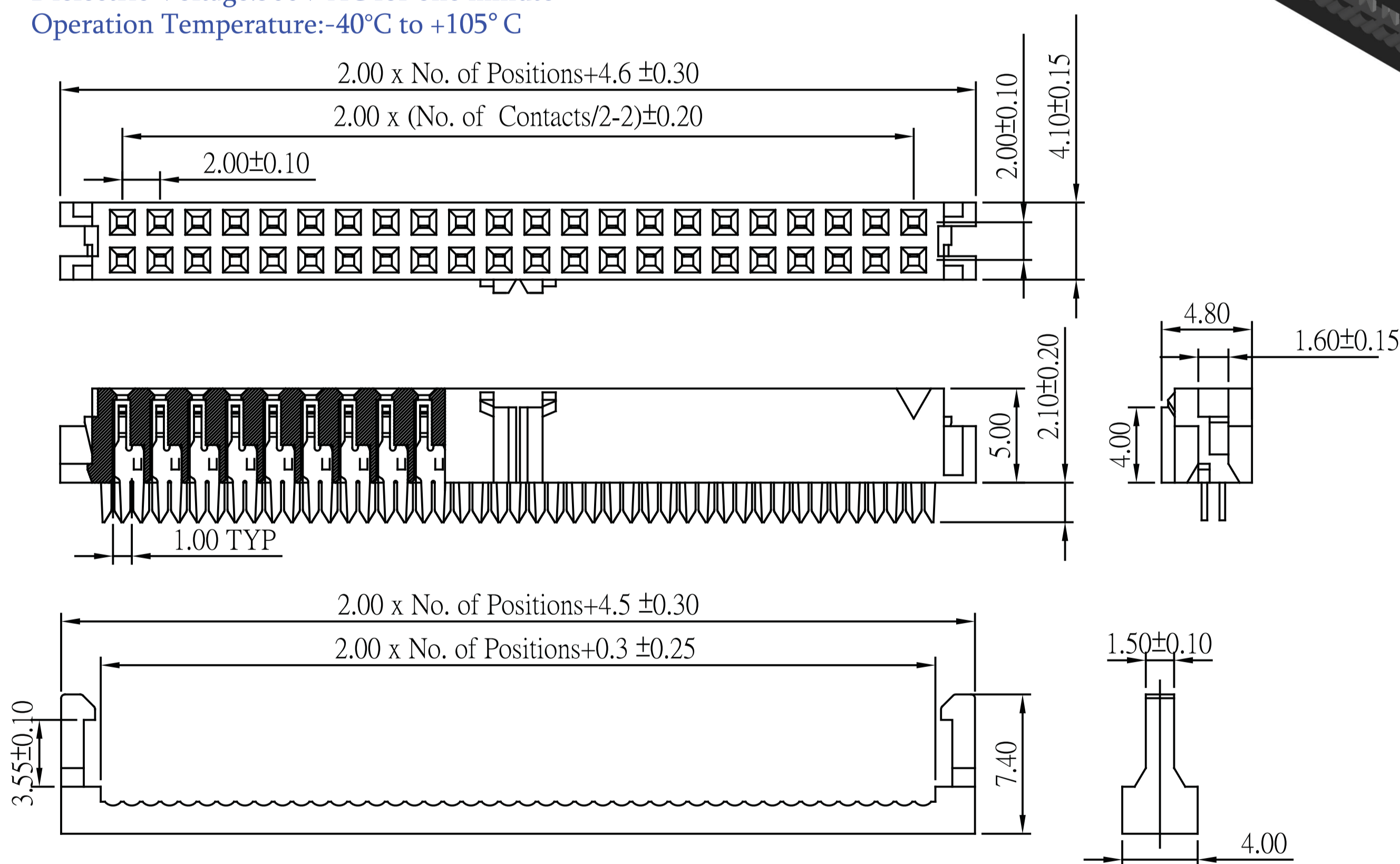
IDC Socket 2.0mm

SPECIFICATION

Current Rate:1 AMP
 Insulation Resistance:1000M Ω Min.
 Contact Resistance:20m Ω Max.
 Dielectric Voltage:500V AC for one minute
 Operation Temperature:-40°C to +105° C

MATERIAL

Insulator:Polyester,UL 94V-0
 ◎Standard:PBT
 Contact Pin:Copper Alloy



Part No.:IDC2B-XX-L

ORDER INFORMATION

