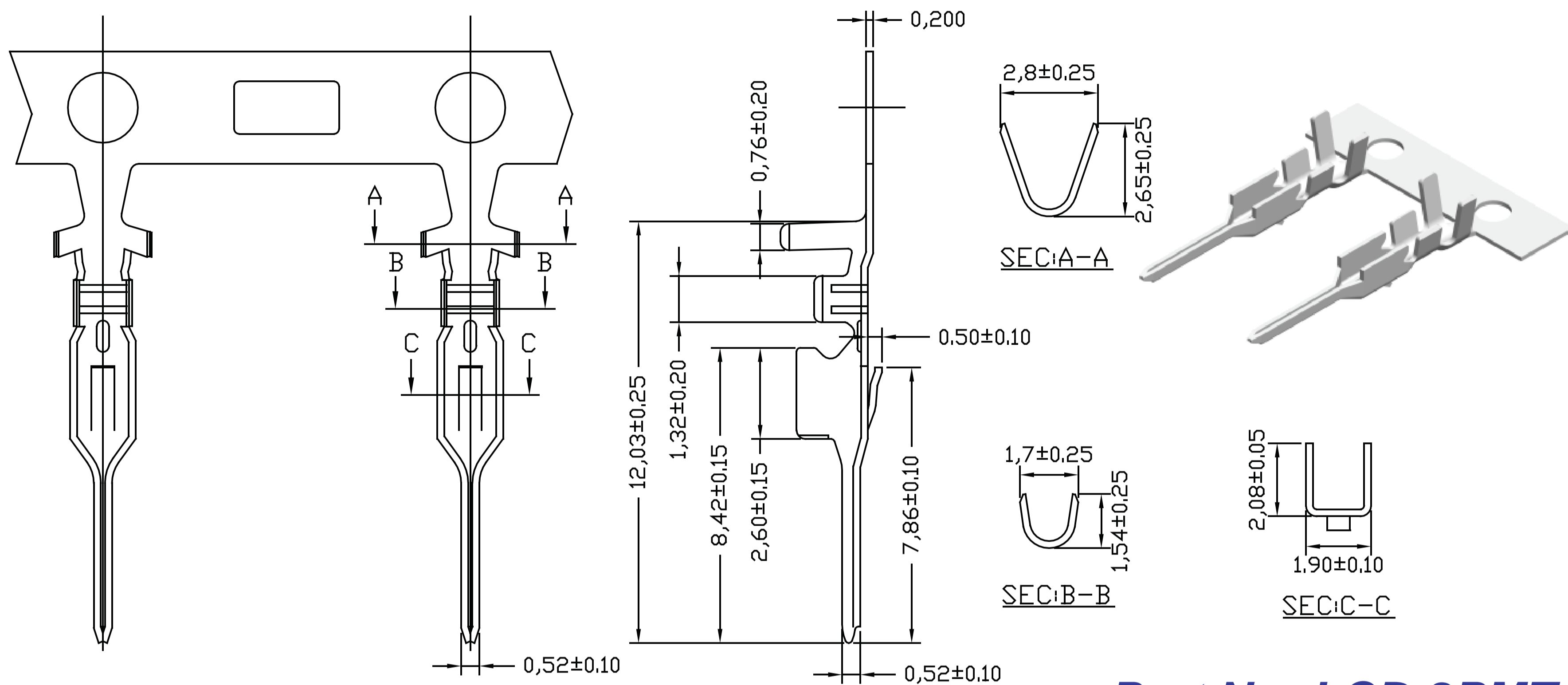


3.5mm LCD Terminal / Housing

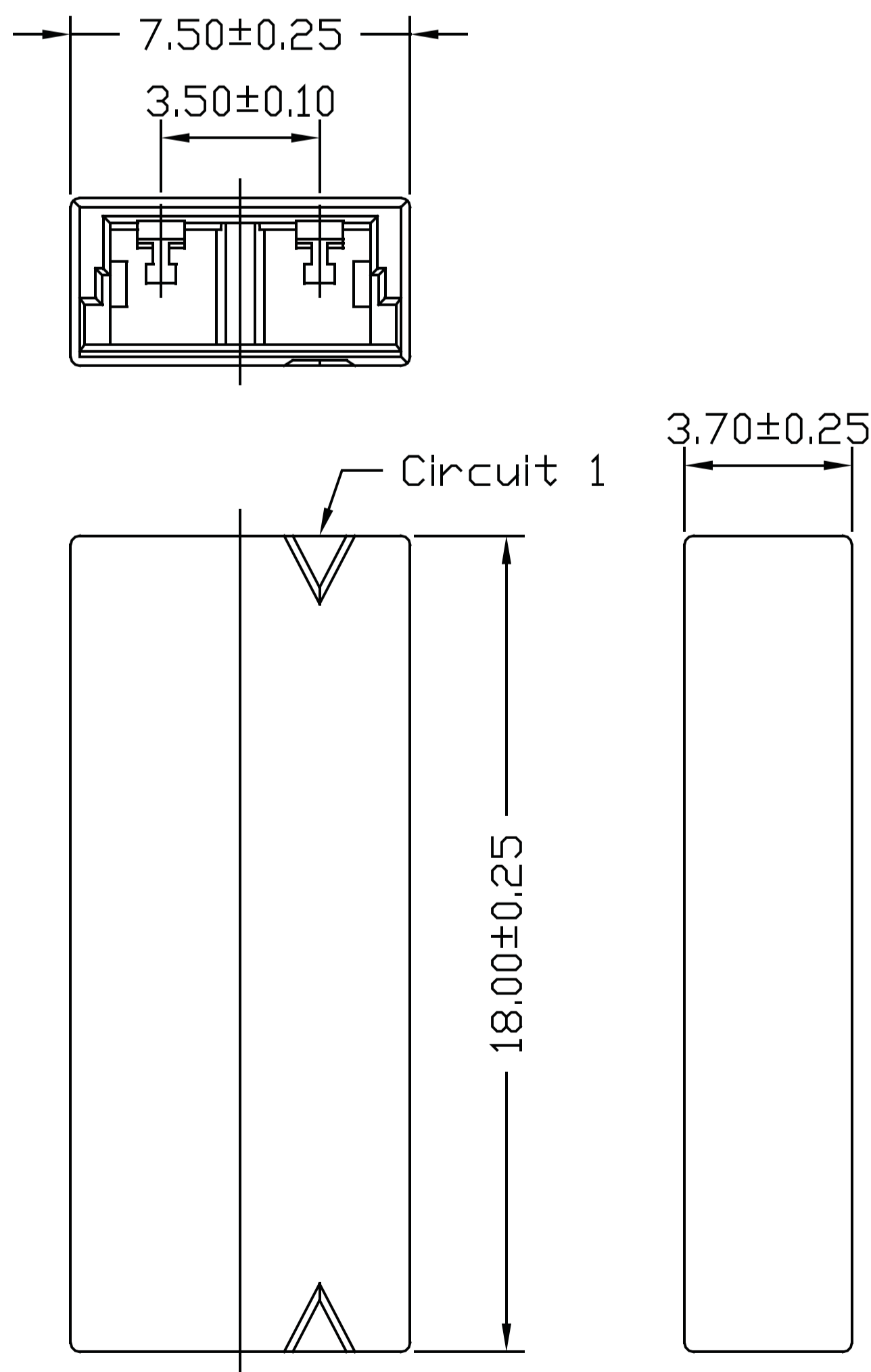
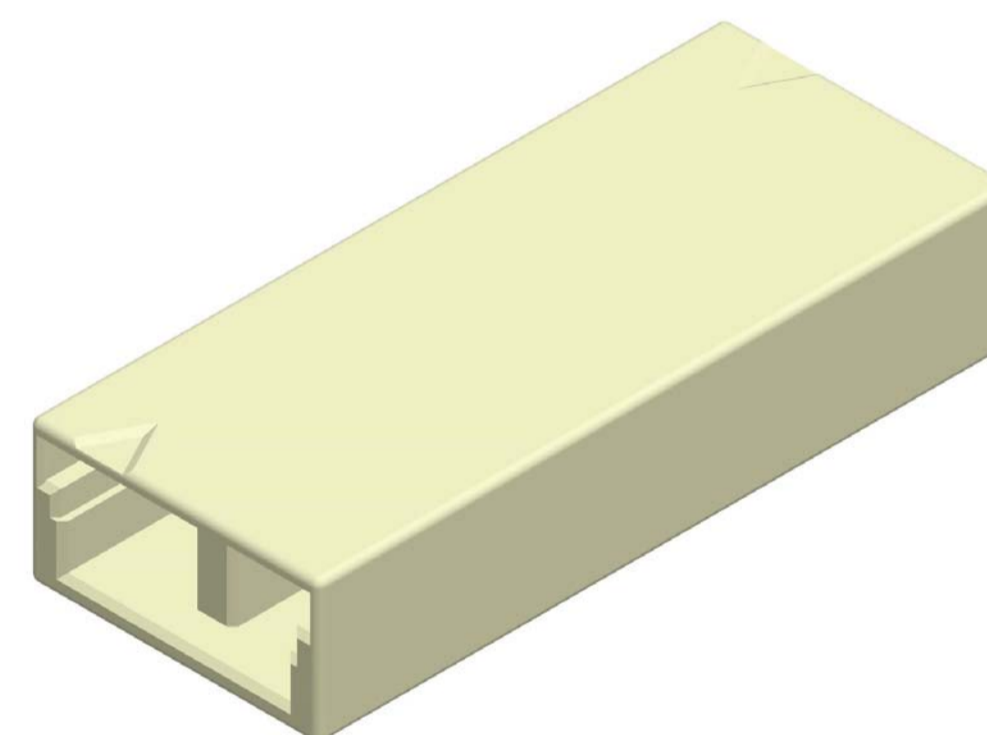


Part No.:LCD-2PMT-L

Wire Range	Insulation O.D.	Material	Finish	Qty/reel
AWG#24-#28	1.80mm(max)	Phosphor Bronze	Tin-plated	5,000pcs

SPECIFICATIONS

Current Rating: 1A AC,DC
 Voltage Rating: 1400V AC,DC
 Temperature Range: -25°C ~ +85°C
 Contact Resistance: 10mΩ Max
 Insulation Resistance: 1000MΩ Min
 Withstanding Voltage: 3800V AC/minute
 Material: Nylon 66,UL94V-0
 Color: Natural(White)



Part No.:LCDH-F2PW-L