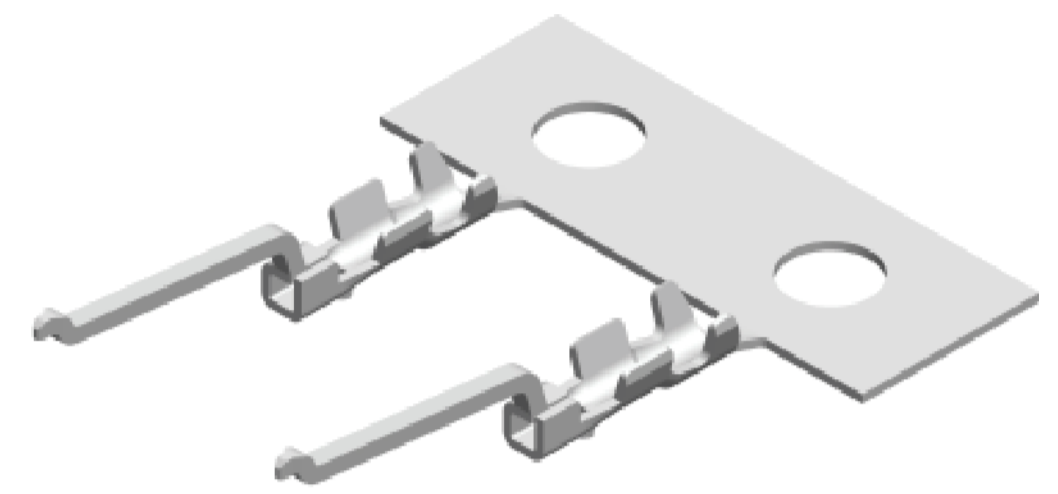
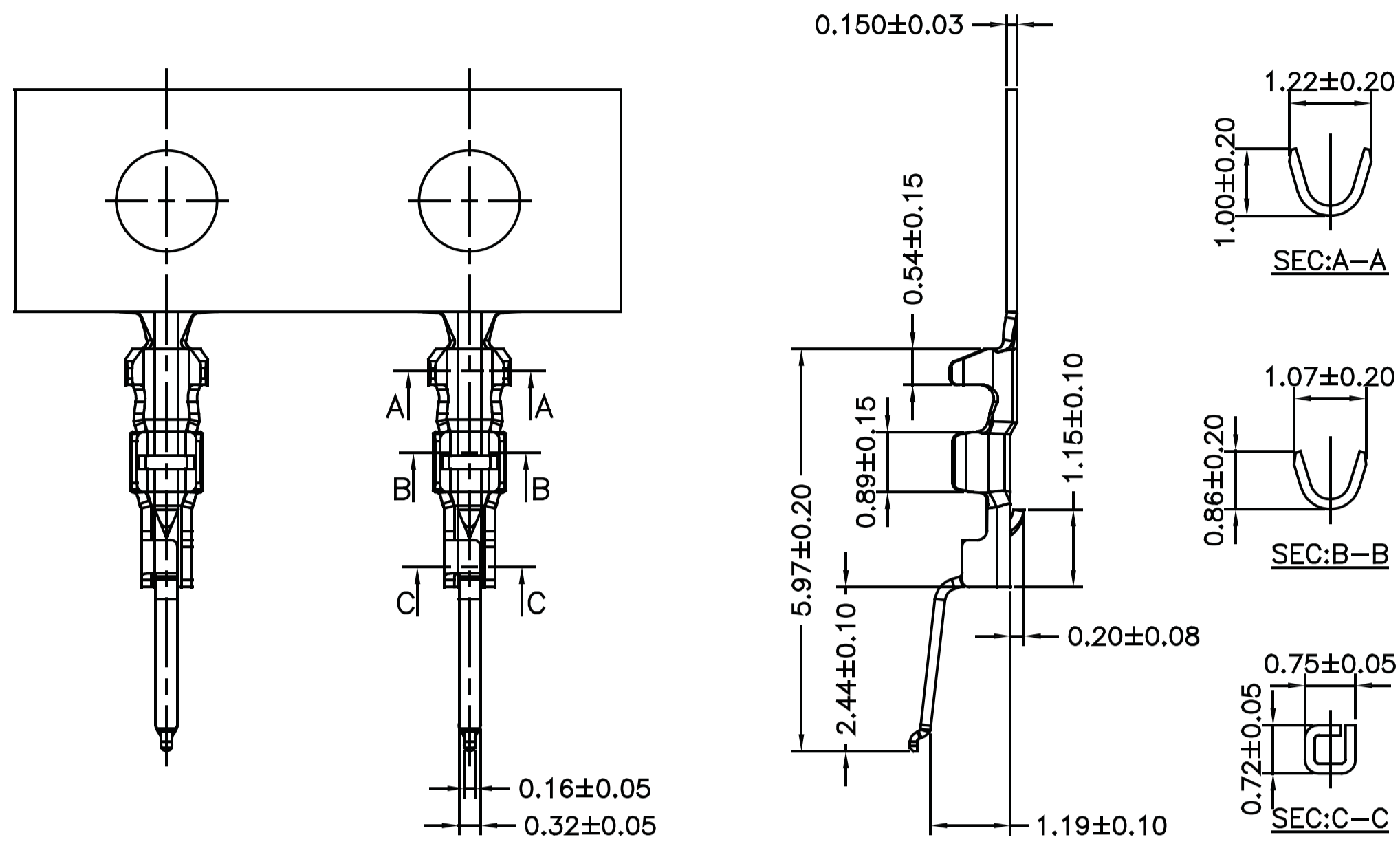




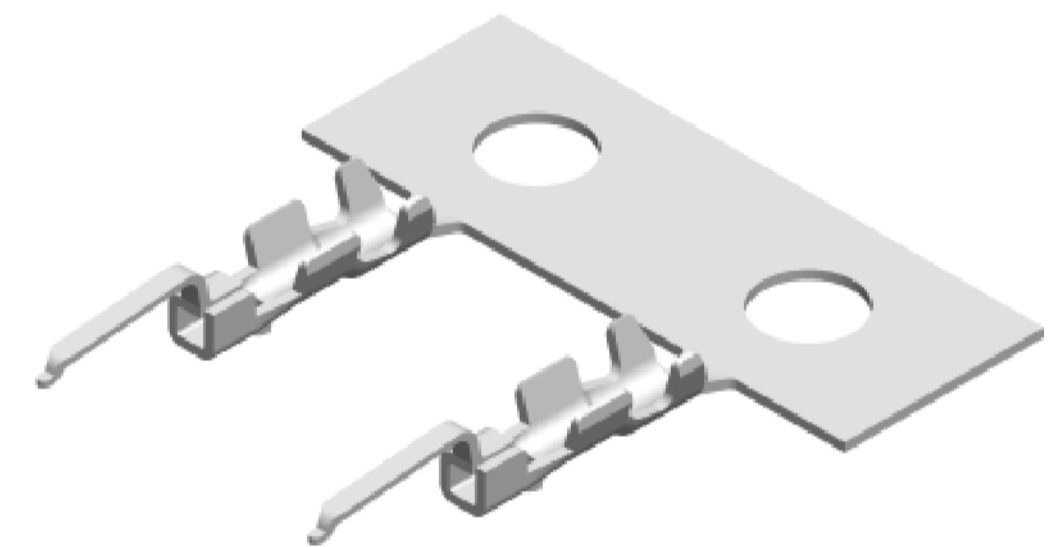
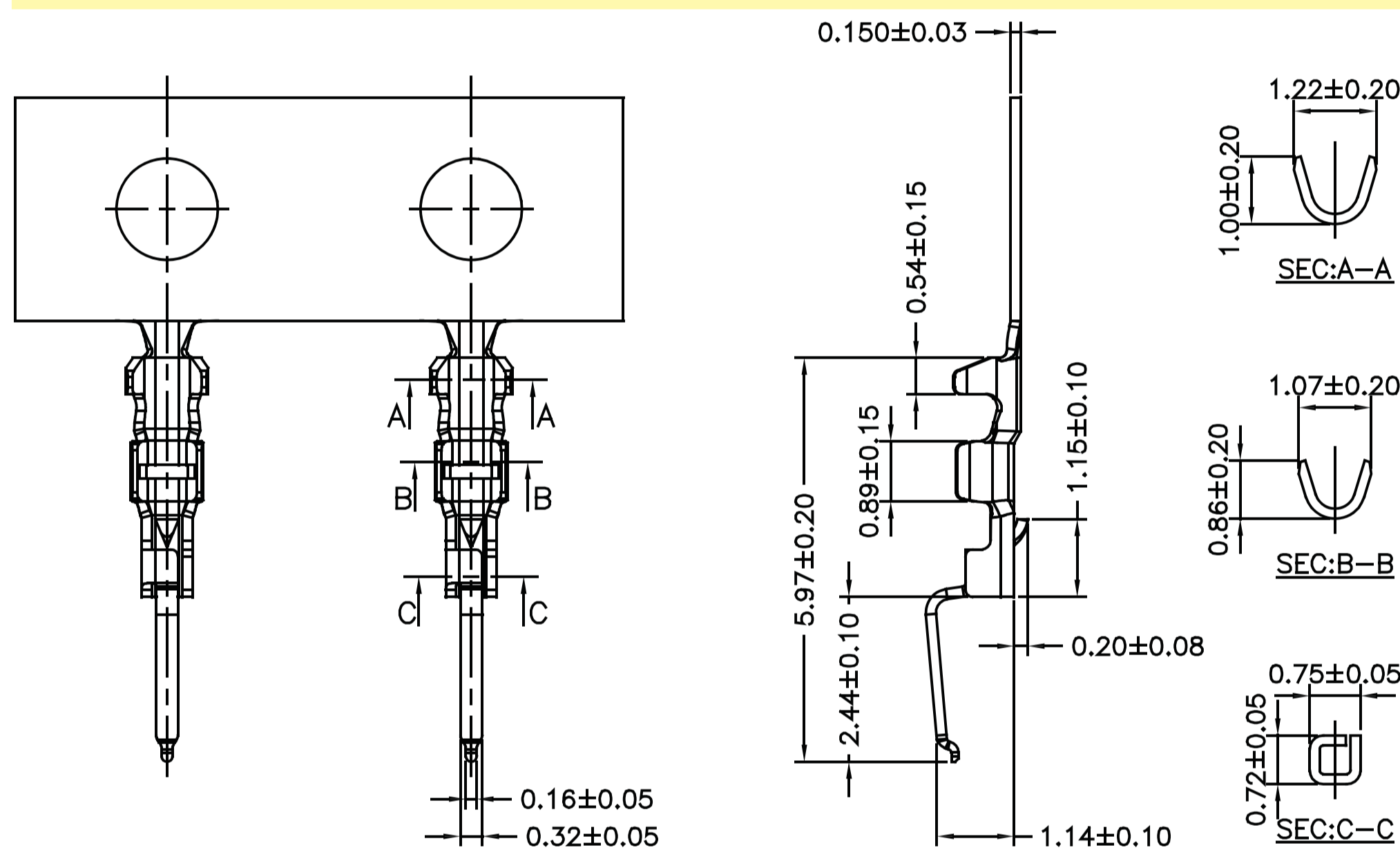
# CONNECTORS MANUFACTURER

## 0.5mm Terminal / Housing



| Wire Range | Insulation O.D. | Material        | Finish      | Qty/reel  |
|------------|-----------------|-----------------|-------------|-----------|
| AWG#30-#36 | 0.75mm(max)     | Phosphor Bronze | Gold-plated | 15,000pcs |

Part No.:0505-T-A-L

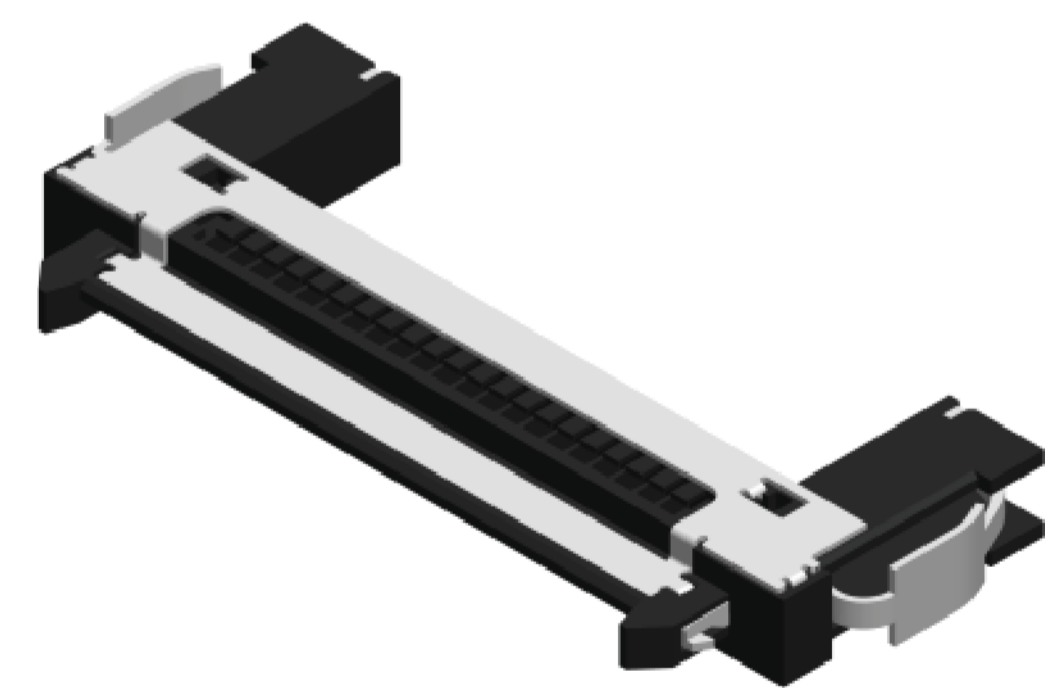
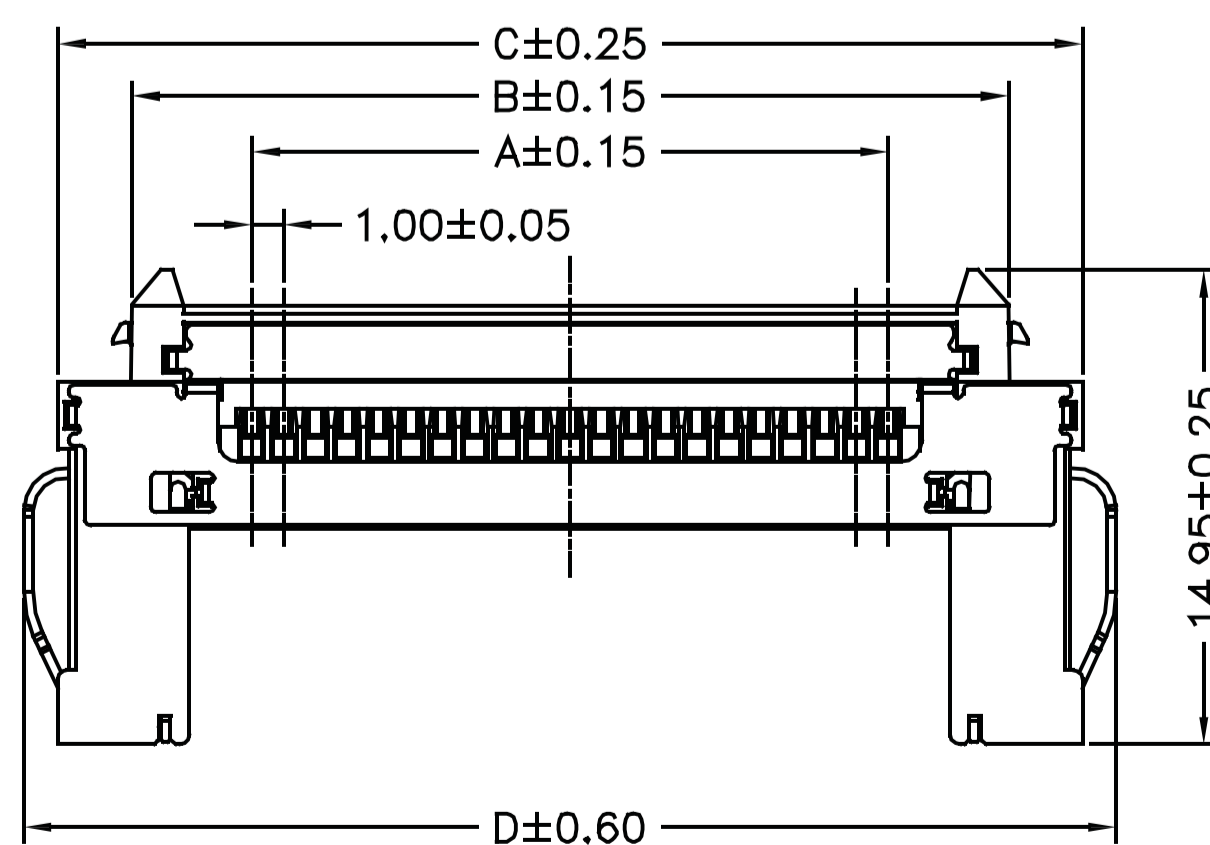


| Wire Range | Insulation O.D. | Material        | Finish      | Qty/reel  |
|------------|-----------------|-----------------|-------------|-----------|
| AWG#30-#36 | 0.75mm(max)     | Phosphor Bronze | Gold-plated | 15,000pcs |

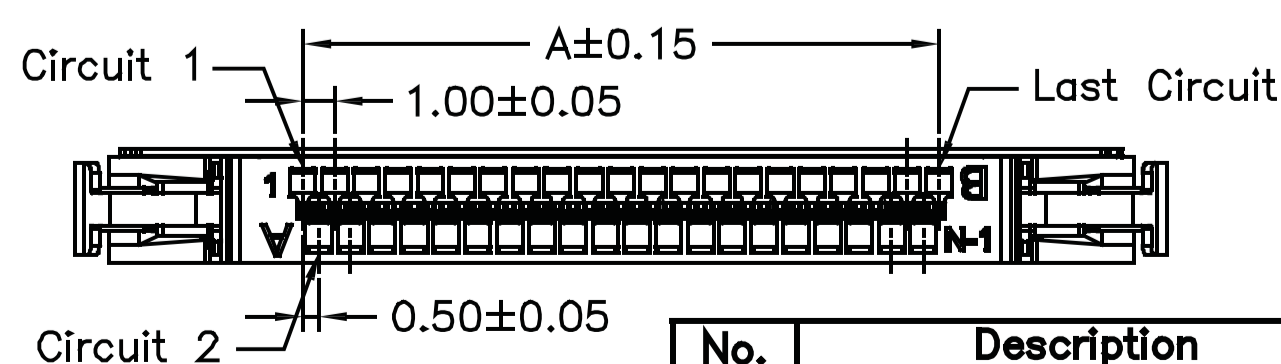
Part No.:0505-T-B-L

### SPECIFICATIONS

- Current Rating: 0.7A AC,DC
- Voltage Rating: 100V AC,DC
- Temperature Range: -25°C to +85°C
- Contact Resistance: 50mΩ Max
- Insulation Resistance: 100MΩ Min
- Withstanding Voltage: 500V AC/minute
- Material: Nylon 46,UL94V-0



Part No.:0505H-XXB-U



| No. | Description  | Material         | Color          |
|-----|--------------|------------------|----------------|
| 1   | Insulator    | Nylon 46,UL94V-0 | Natural(Black) |
| 2   | Ground plate | Stainless        | ---            |
| 3   | Lock lever   | Stainless        | ---            |

| PART NO.    | Dimensions |       |       |       |
|-------------|------------|-------|-------|-------|
|             | A          | B     | C     | D     |
| 0505H-21B-U | 10.00      | 17.54 | 22.20 | 24.34 |
| 0505H-31B-U | 15.00      | 22.54 | 27.20 | 29.34 |
| 0505H-41B-U | 20.00      | 27.54 | 32.20 | 34.34 |
| 0505H-51B-U | 25.00      | 32.54 | 37.20 | 39.34 |

Housing wafer Terminal



RoHS

AMTEK CONNECTOR MANUFACTURER