

CONNECTORS MANUFACTURER



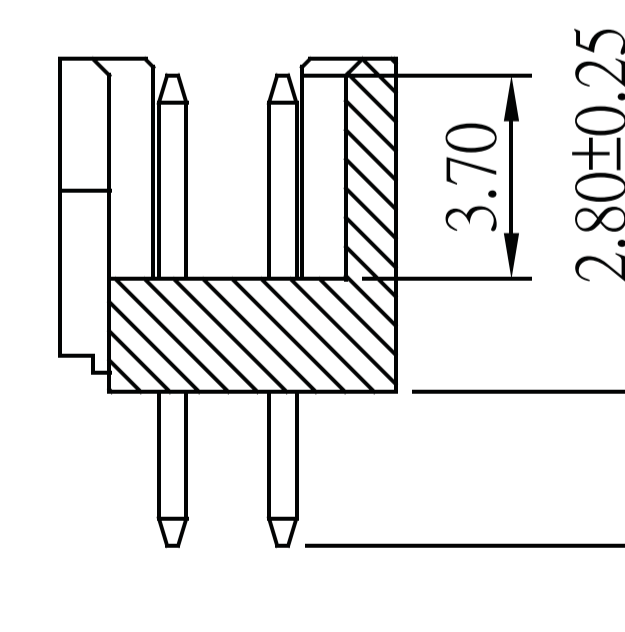
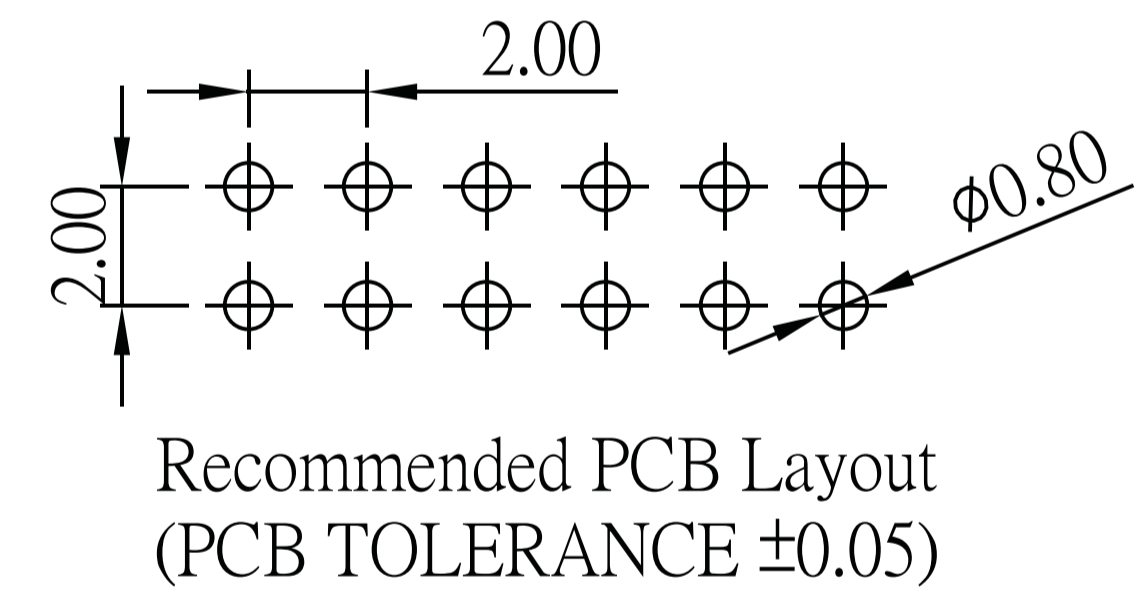
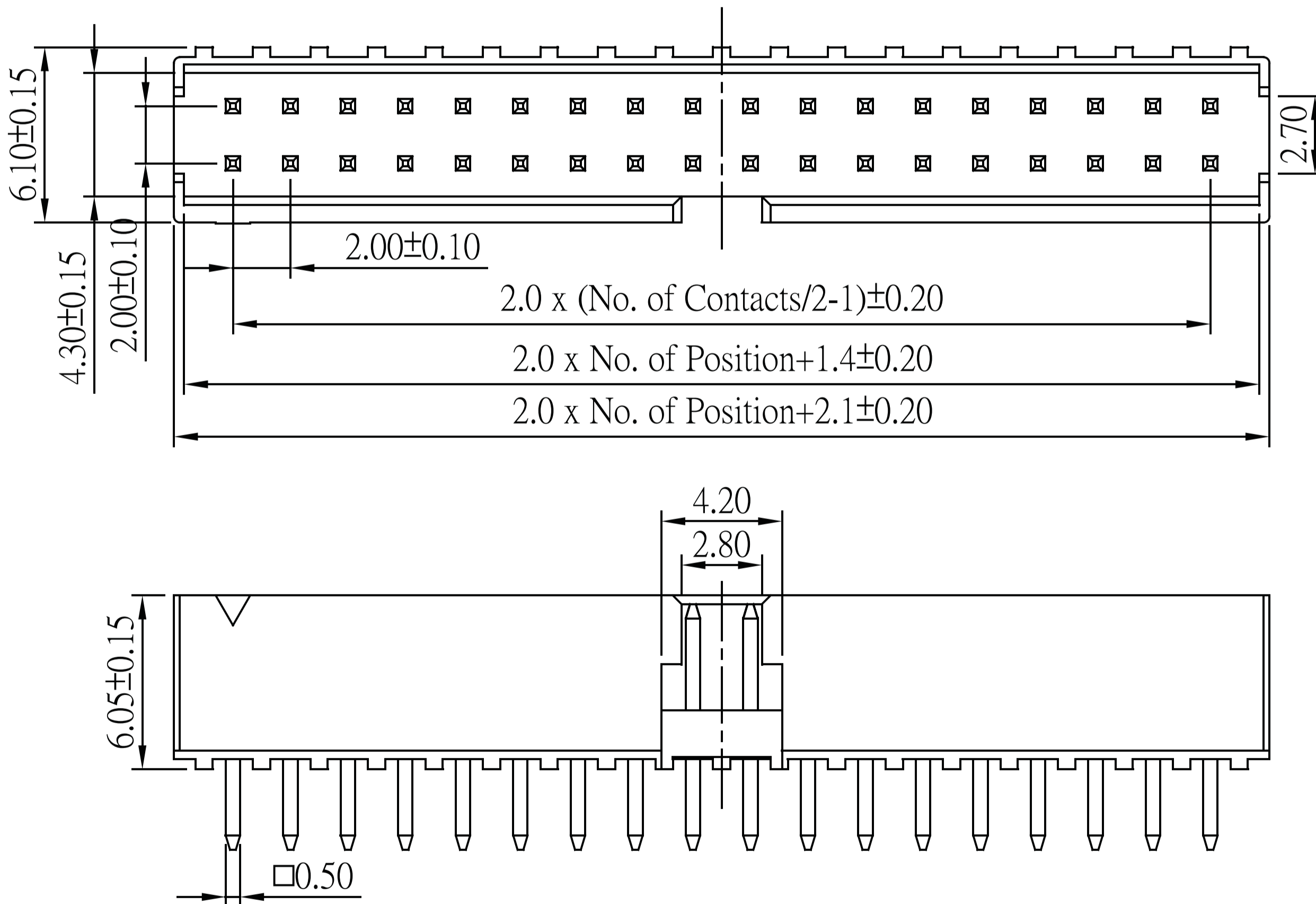
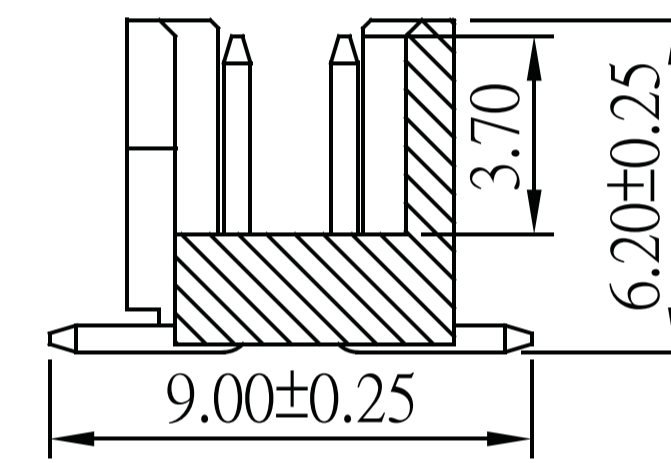
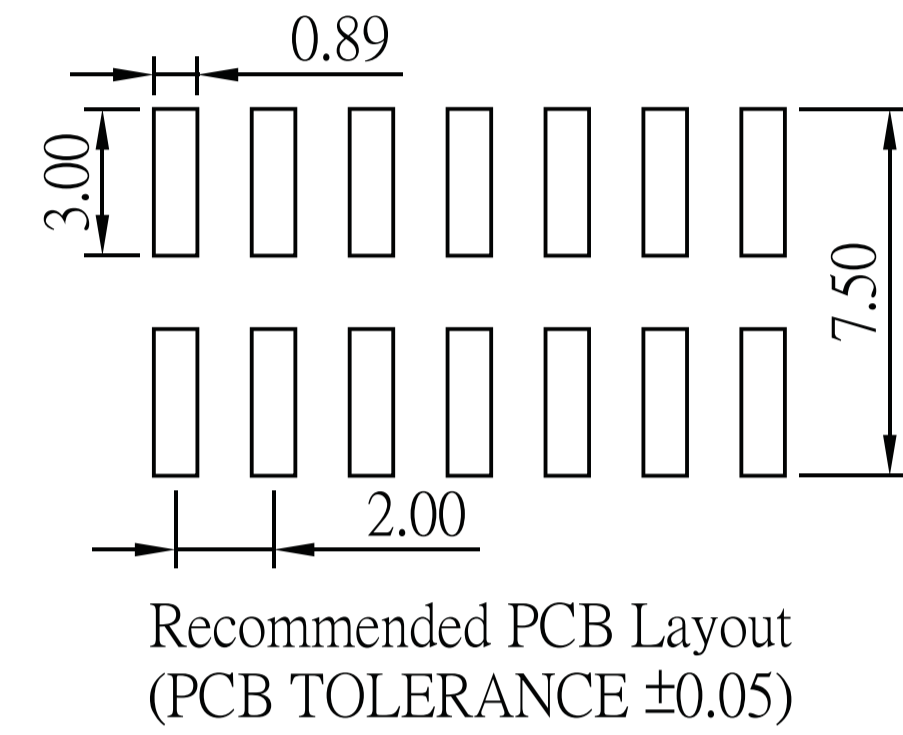
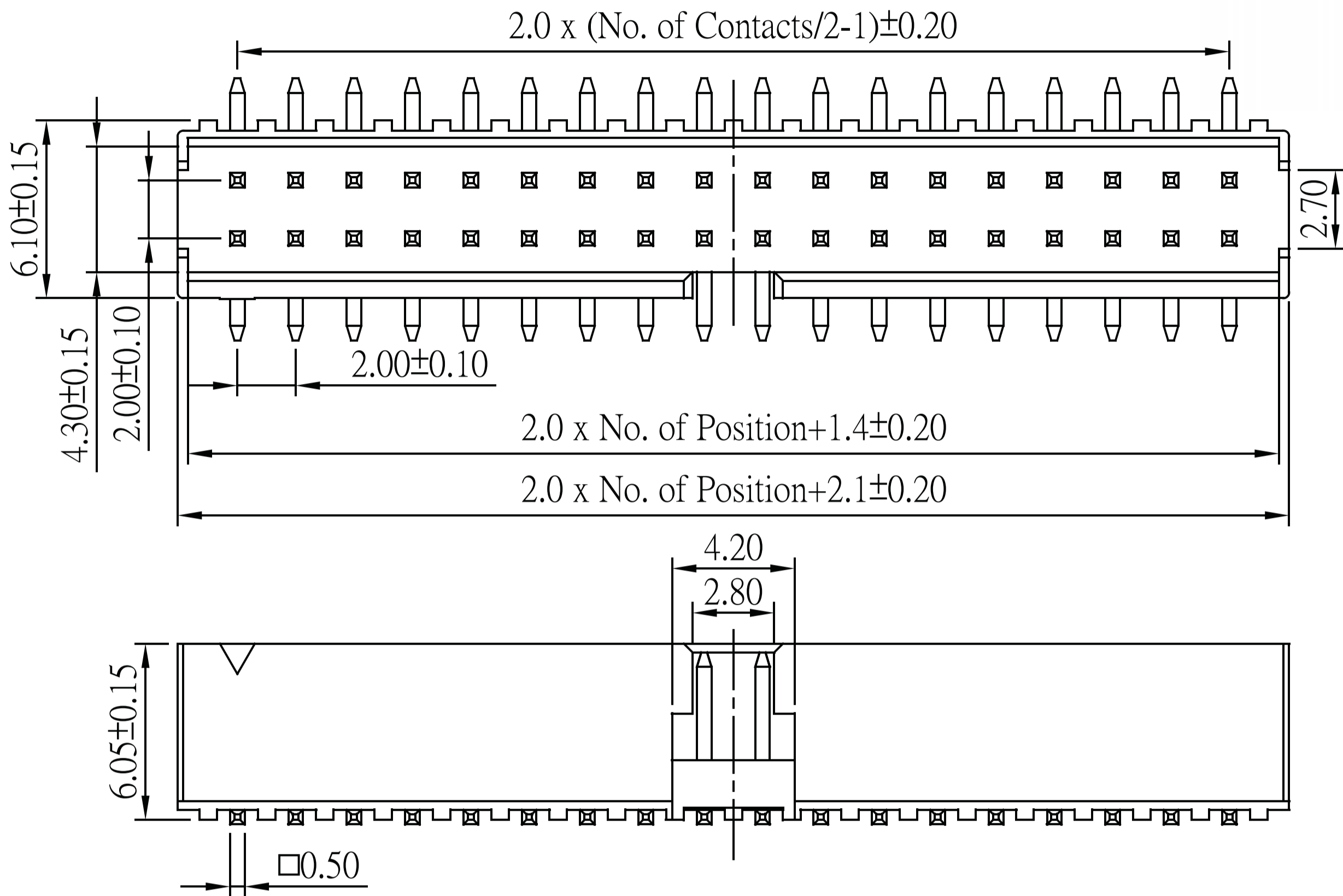
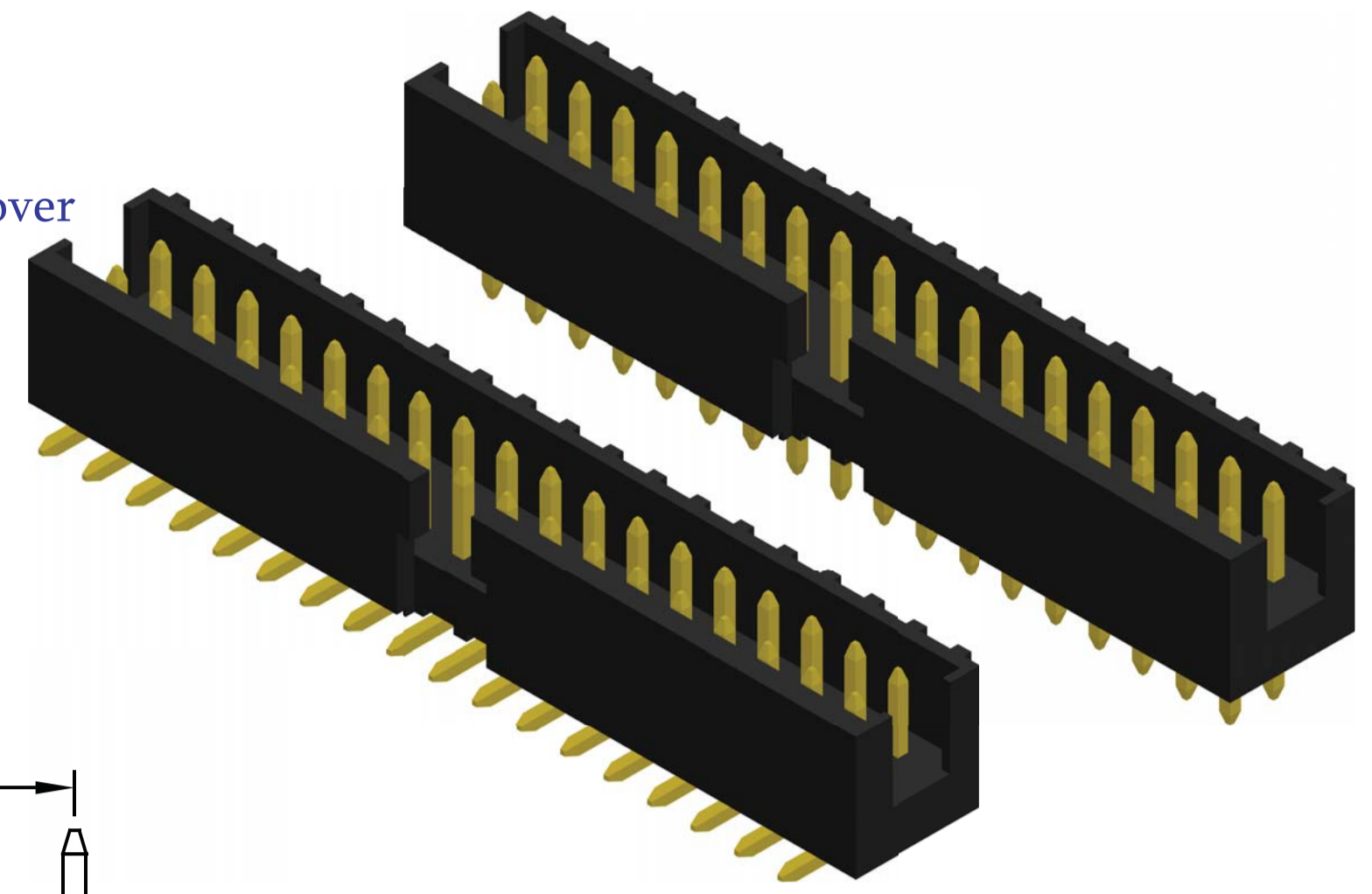
Box Header 2.0mm H=6.05mm SMT/Straight Type

SPECIFICATION

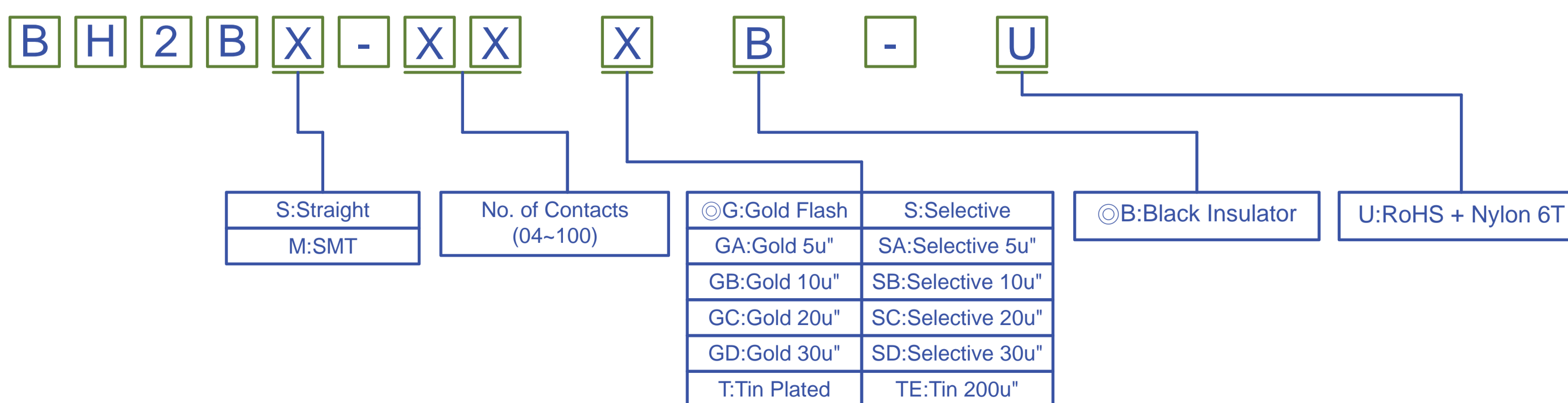
Current Rate:1.5 AMP
 Insulation Resistance:1000MΩ Min.
 Contact Resistance:20mΩ Max.
 Dielectric Voltage:500V AC for one minute
 Operation Temperature:-40°C to +105°C

MATERIAL

Insulator:Polyester,UL 94V-0
 ◎Standard:Nylon 6T
 Contact Pin:Copper Alloy
 Contact Plating:Gold Flash all over



ORDER INFORMATION



◎: Standard Recommended

Box Header 2.0mm



RoHS

AMTEK CONNECTOR MANUFACTURER