

CONNECTORS MANUFACTURER



Board To Board 1.27mm



RoHS

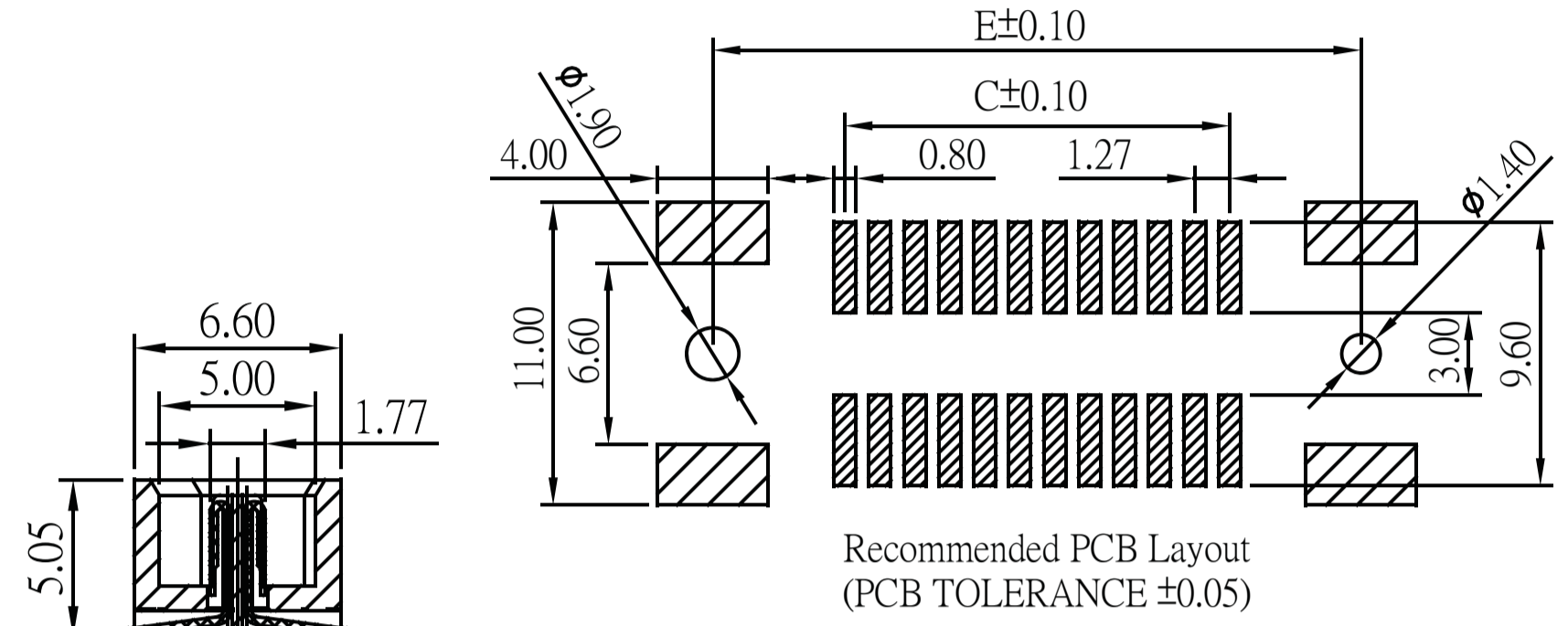
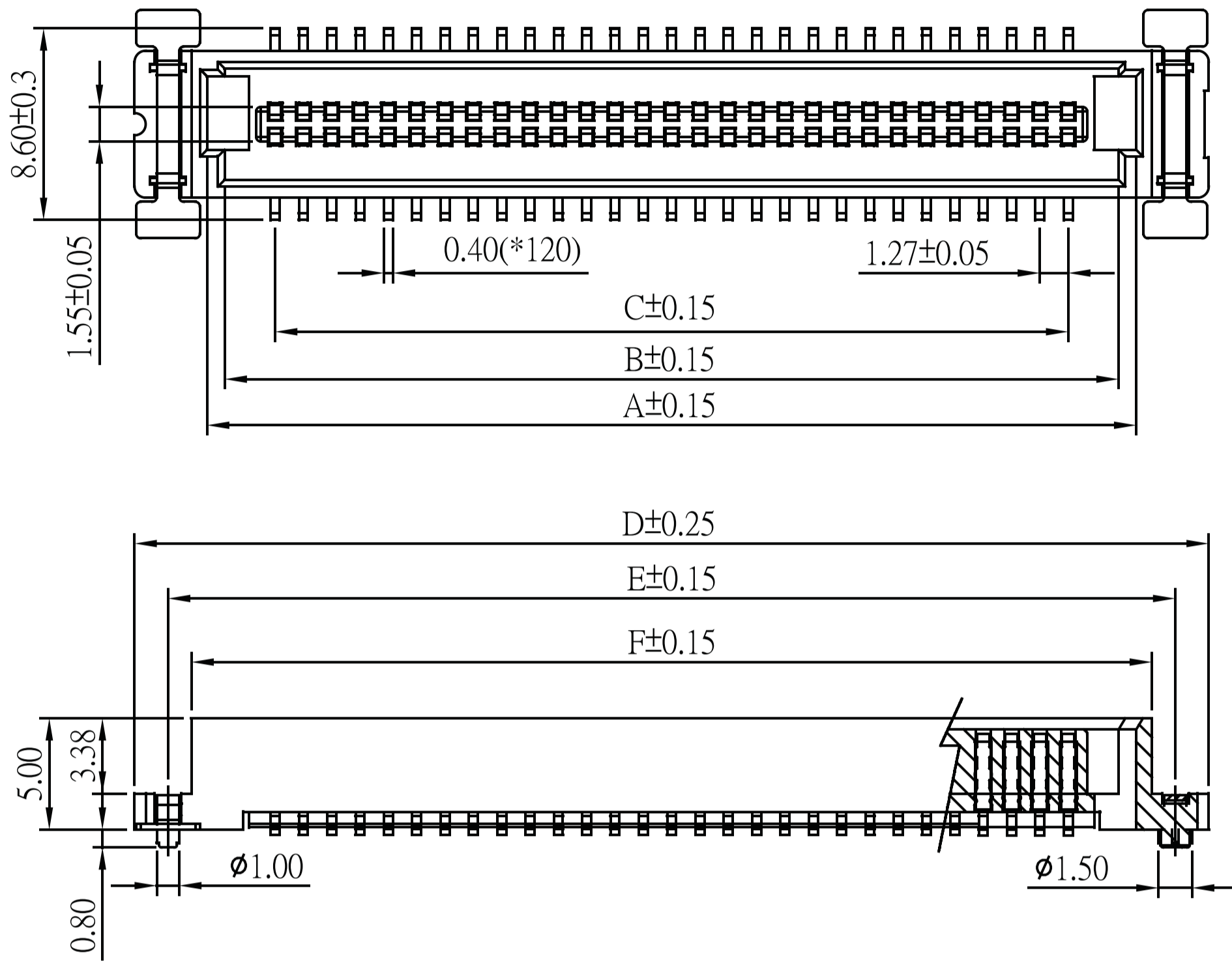
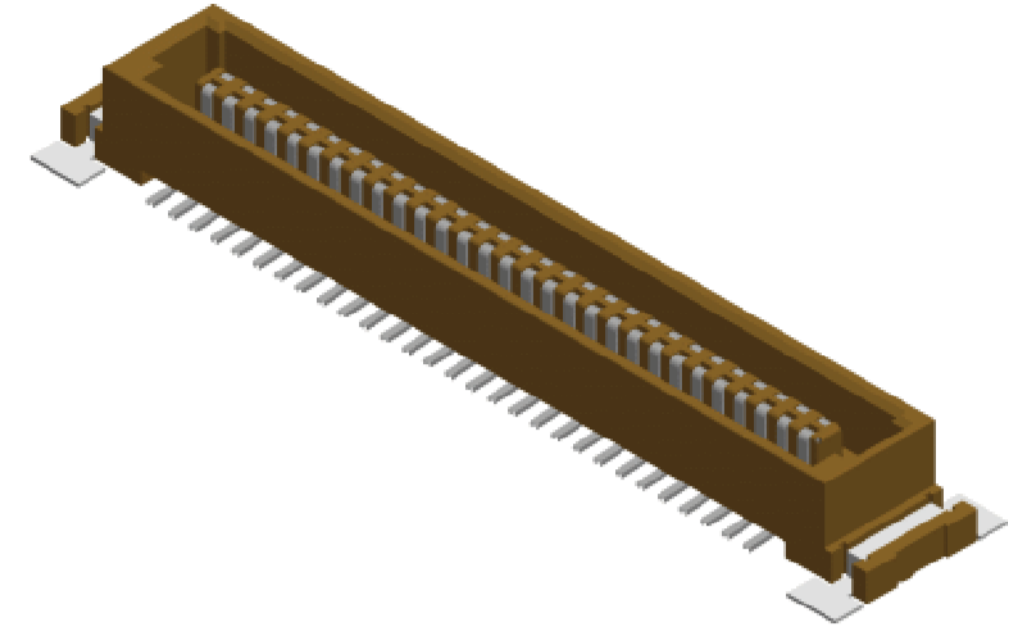
Board To Board Male 1.27mm H=5.0mm

SPECIFICATION

Current Rate:0.5 AMP
 Insulation Resistance:1000MΩ Min.
 Contact Resistance:40mΩ Max.
 Dielectric Voltage:650V AC for one minute
 Operation Temperature:-55°C to +85°C

MATERIAL

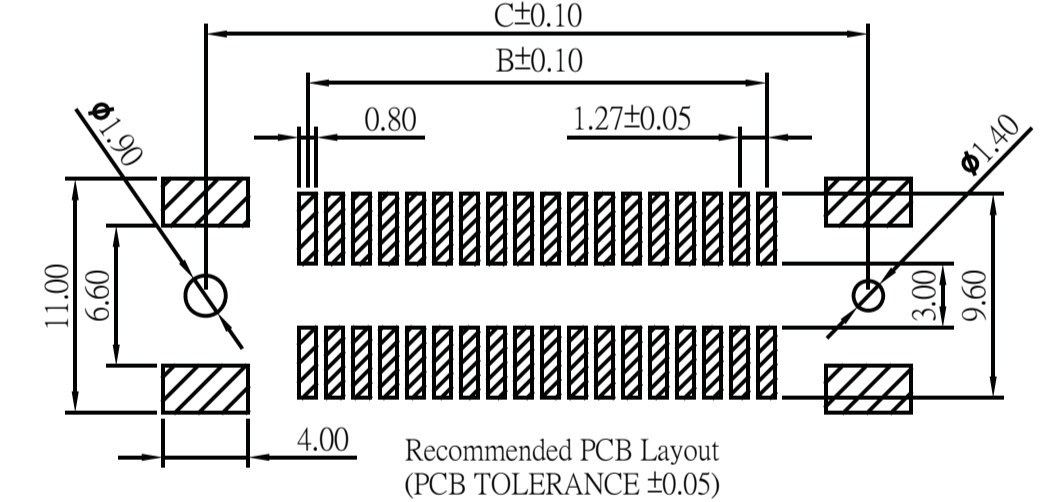
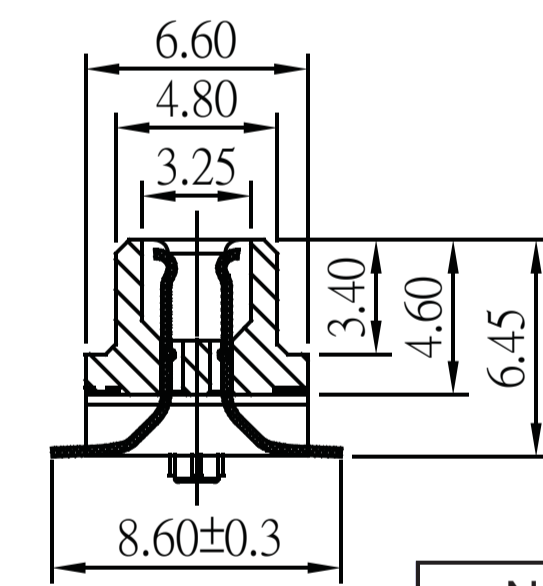
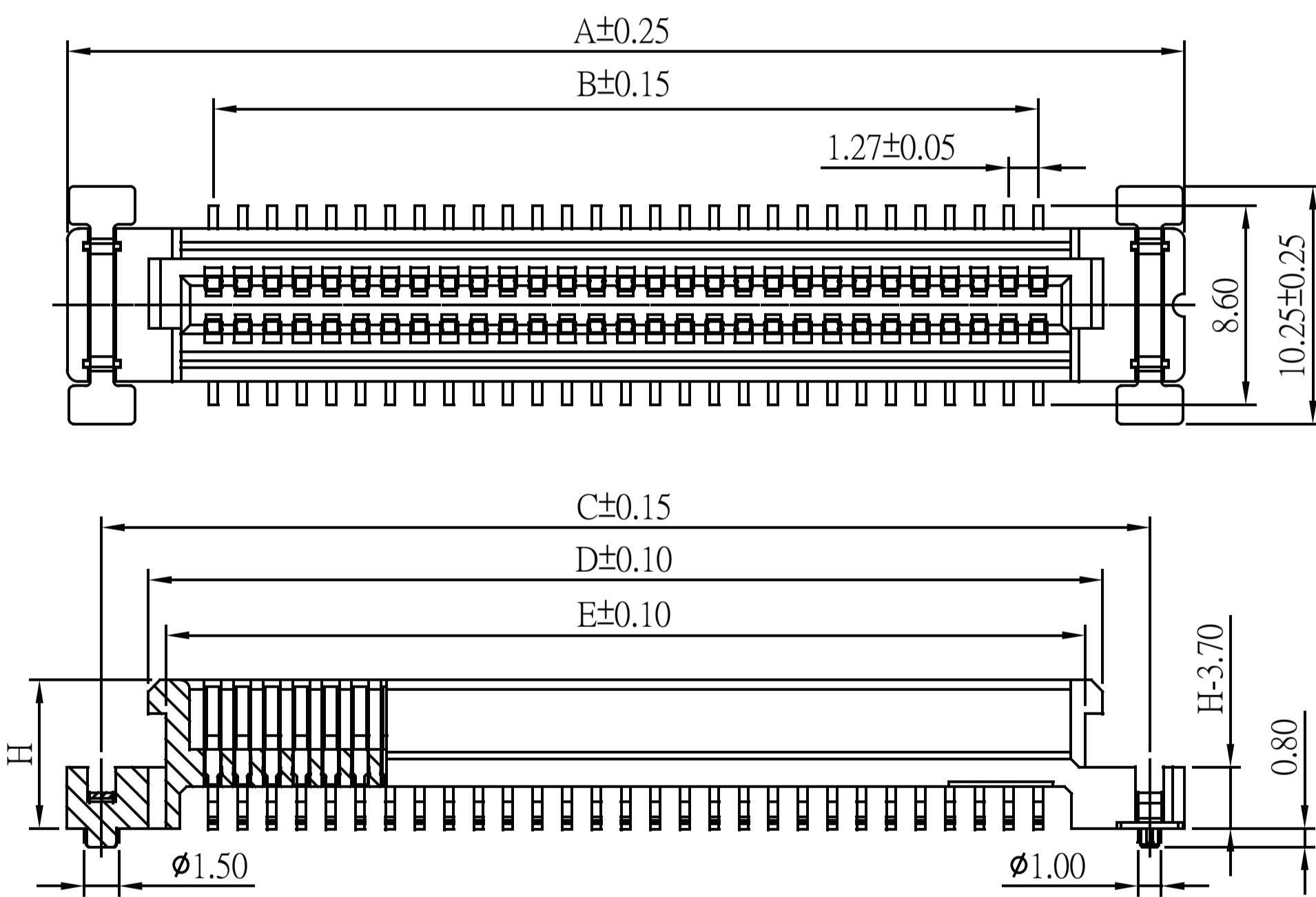
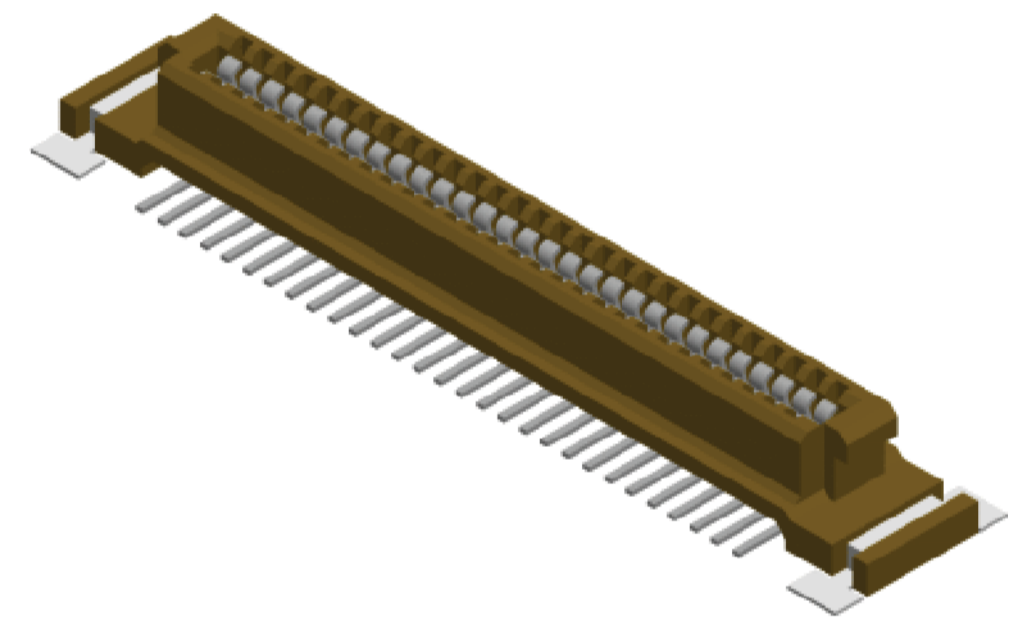
Insulator:Polyester,UL 94V-0
 ◎Standard:PPS
 Contact Pin:Phosphor Bronze
 Contact Plating:Gold Flash all over



No. of Contacts	Dimensions				
	A	B	C	D	E
20	24.03	11.43	21.03	17.00	15.50
30	30.38	17.78	27.38	23.35	21.85
40	36.73	24.13	33.73	29.70	28.20
50	43.08	30.48	40.08	36.05	34.55
60	49.43	36.83	46.43	42.40	40.90
80	62.13	49.53	59.13	55.10	53.60
100	74.83	62.23	71.83	67.80	66.30
120	87.53	74.93	84.53	80.50	79.00

Part No.:BTB127M50-XX-U

Board To Board Female 1.27mm H=5.4/6.4mm



No. of Contacts	Dimensions				
	A	B	C	D	E
20	24.03	11.43	21.03	17.00	15.50
30	30.38	17.78	27.38	23.35	21.85
40	36.73	24.13	33.73	29.70	28.20
50	43.08	30.48	40.08	36.05	34.55
60	49.43	36.83	46.43	42.40	40.90
80	62.13	49.53	59.13	55.10	53.60
100	74.83	62.23	71.83	67.80	66.30
120	87.53	74.93	84.53	80.50	79.00

Part No.:BTB127F 54/64-XX-U

ORDER INFORMATION

B **T** **B** **1** **2** **7** **X** **X** **X** **-** **X** **X** **G** **N** **X** **X** **X** **-** **U**

M:Male
F:Female

Insulator Height

No. of Contacts (20-120)

◎Gold Flash

◎O:W/O Cap
C:With Peg

◎P:With Peg
O:W/O Peg

◎T:Tube
R:Tape & Reel

U:RoHS + PPS

◎N:Brown Insulator

Male Insulator Height	Female Insulator Height
50:Insulator Height H=5.0mm	54:Insulator Height =5.4mm
	64:Insulator Height =6.4mm