

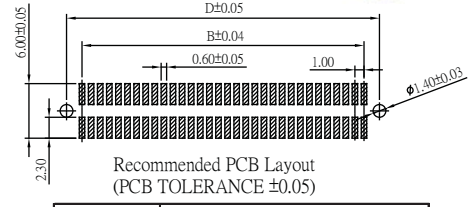
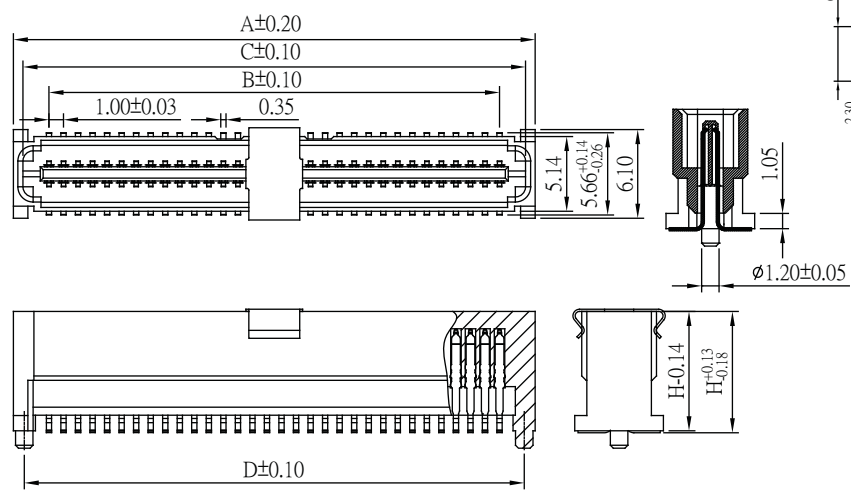
# B oard To Board 1.0mm



## Board To Board Male 1.0mm H=6.35/8.35mm

**SPECIFICATION**  
 Current Rate:1.0 AMP  
 Insulation Resistance:100MΩ Min.  
 Contact Resistance:30mΩ Max.  
 Dielectric Voltage:250V AC for one minute  
 Operation Temperature:-40°C to +85°C

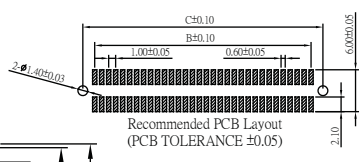
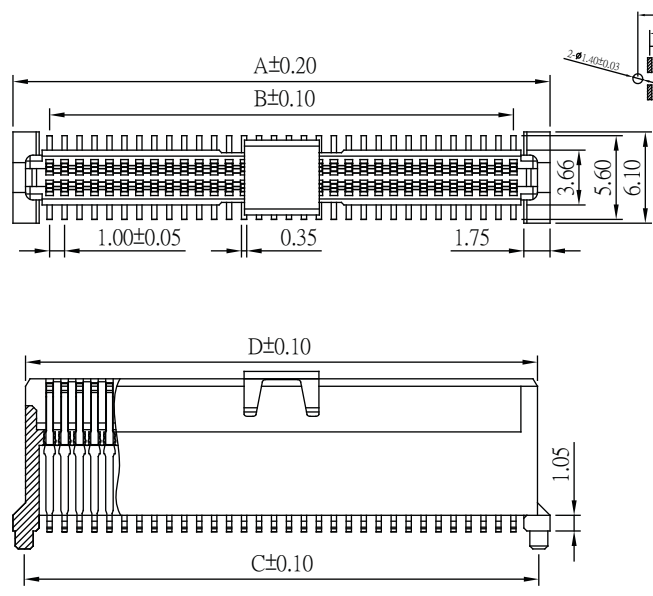
**MATERIAL**  
 Insulator:Polyester,UL 94V-0  
 ©Standard:LCP  
 Contact Pin:Phosphor Bronze  
 Contact Plating:Gold Flash all over



| No. of Contacts | Dimensions |       |       |       |
|-----------------|------------|-------|-------|-------|
|                 | A          | B     | C     | D     |
| 20              | 13.90      | 9.00  | 12.58 | 12.40 |
| 30              | 18.90      | 14.00 | 17.58 | 17.40 |
| 40              | 23.90      | 19.00 | 22.58 | 22.40 |
| 50              | 28.90      | 24.00 | 27.58 | 27.40 |
| 60              | 33.90      | 29.00 | 32.58 | 32.40 |
| 64              | 35.90      | 31.00 | 34.58 | 34.40 |
| 70              | 38.90      | 34.00 | 37.58 | 37.40 |
| 80              | 43.90      | 39.00 | 42.58 | 42.40 |
| 84              | 45.90      | 41.00 | 44.58 | 44.40 |
| 90              | 48.90      | 44.00 | 47.58 | 47.40 |
| 100             | 53.90      | 49.00 | 52.58 | 52.40 |
| 110             | 58.90      | 54.00 | 57.58 | 57.40 |
| 120             | 63.90      | 59.00 | 62.58 | 62.40 |

Part No.:BTB10M 64/84-XX-U

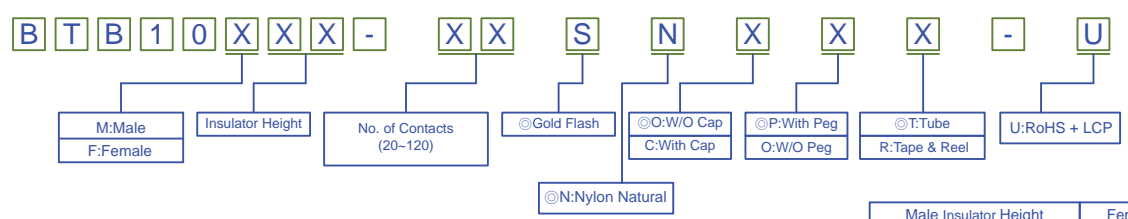
## Board To Board Female 1.0mm H=10.3mm



| No. of Contacts | Dimensions |       |       |       |
|-----------------|------------|-------|-------|-------|
|                 | A          | B     | C     | D     |
| 20              | 13.90      | 9.00  | 12.40 | 12.22 |
| 30              | 18.90      | 14.00 | 17.40 | 17.22 |
| 40              | 23.90      | 19.00 | 22.40 | 22.22 |
| 50              | 28.90      | 24.00 | 27.40 | 27.22 |
| 60              | 33.90      | 29.00 | 32.40 | 32.22 |
| 64              | 35.90      | 31.00 | 34.40 | 34.22 |
| 70              | 38.90      | 34.00 | 37.40 | 37.22 |
| 80              | 43.90      | 39.00 | 42.40 | 42.22 |
| 84              | 45.90      | 41.00 | 44.40 | 44.22 |
| 90              | 48.90      | 44.00 | 47.40 | 47.22 |
| 100             | 53.90      | 49.00 | 52.40 | 52.22 |
| 110             | 58.90      | 54.00 | 57.40 | 57.22 |
| 120             | 63.90      | 59.00 | 62.40 | 62.22 |

Part No.:BTB10F103-XX-U

## ORDER INFORMATION



| Male Insulator Height        | Female Insulator Height      |
|------------------------------|------------------------------|
| 64:Insulator Height H=6.35mm | 103:Insulator Height =10.3mm |
| 84:Insulator Height H=8.35mm |                              |

©:Standard Recommended

Mating Height See Page 1-1